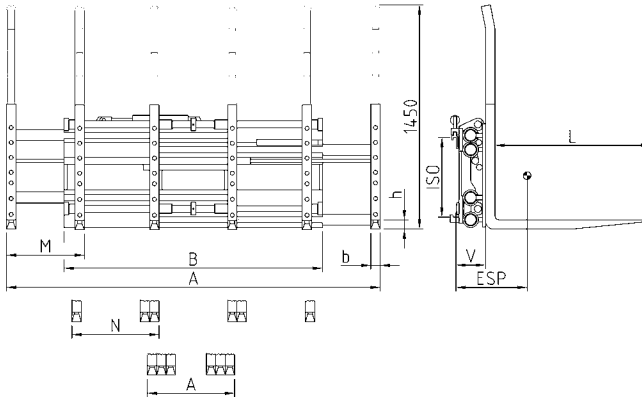


Triple fork positioner for 1-2-3 pallets

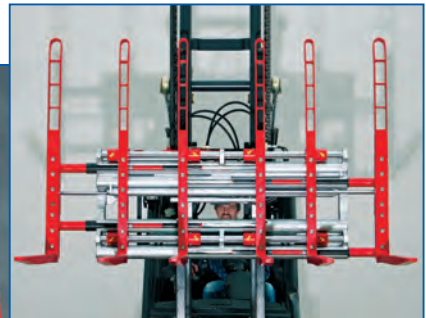
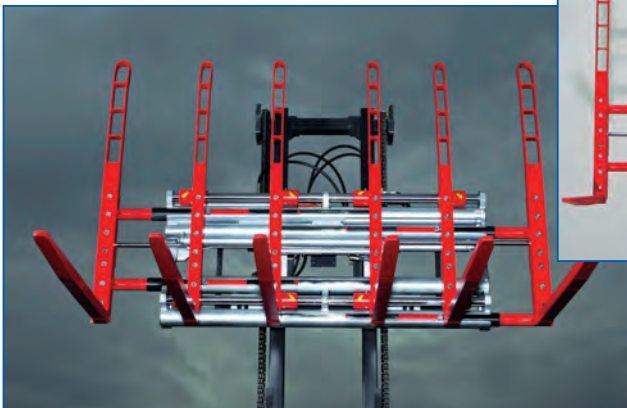
DRPK-C

The triple fork positioner DRPK-C can, through hydraulic fork positioning, pick up one, two or three pallets. The distance between the pallets can be reduced to zero. The strong frame construction maximises service life and safe working. Sideshift is fitted as standard.



type	capacity kg/mm LC	lift truck capacity tons	ISO	B mm	A mm	M/N mm	b x h x l mm	sideshift mm	ESP COG mm	V LLC mm	weight kg
DRPK 25 C	2500/600	2,5	II	1630	560-2285	500/560	60x50x1200	+/- 100	230	173	745
DRPK 30 C	3000/600	3,0-3,5	III	1465	560-2240	500/560	60x50x1200	+/- 100	235	173	730
DRPK 30 C	3000/600	3,0-3,5	III	1630	560-2285	500/560	60x50x1200	+/- 100	235	173	745
DRPK 30 C	3000/600	3,0-3,5	III	1795	560-2450	500/560	60x50x1200	+/- 100	233	173	770
DRPK 45 C	3800/600	4,0-5	III	1630	560-2285	500/560	60x60x1200	+/- 100	240	173	800
DRPK 45 C	3800/600	4,0-5	III	1795	560-2450	500/560	60x60x1200	+/- 100	237	173	825
DRPK 45 C	3800/600	4,0-5	III	2285	560-2940	500/560	60x60x1200	+/- 100	225	173	945
DRPK 50 C	4500/600	5,0/600	IV	1980	560-2760	510/570	60x70x1200	+/- 100	185	235	1220

- 2 hydraulic functions
- includes hoses and couplings
- other sizes upon request
- outer fork pairs separately operated – upon request



DURWEN 
Anbaugeräte für Gabelstapler

Kompetenz seit mehr als 50 Jahren