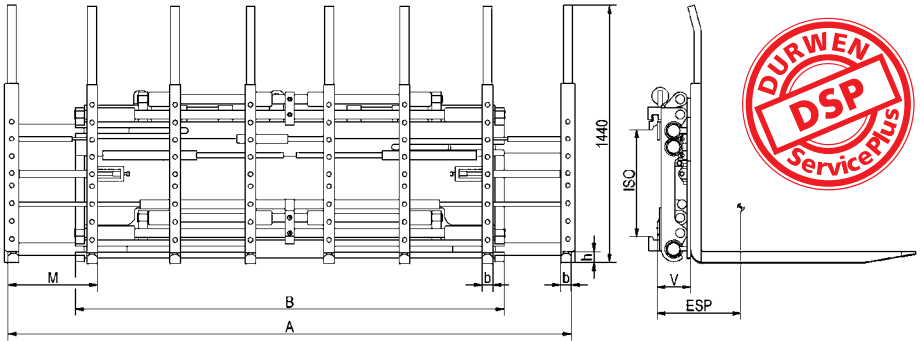


Multiple fork positioner for 2-3-4 and 6-8 pallets

The multiple fork positioner **VPK-C** can, through hydraulic fork positioning pick up 2, 3 or 4 pallets. The multiple fork positioner **APK-C** can, through long forks pick up 6 or 8 pallets. Both models give excellent visibility to the operator. The stable frame gives strong support to the forks and allows high goods turnover. Sideshift is fitted as standard.



type	capacity kg/mm LC	lift truck capacity tons	ISO	B mm	A mm	M mm	b x h x l mm	ESP COG mm	V LLC mm	weight kg	sideshift mm
VPK 50 C	3600/600	5,0/600	IV	2400	1360-3155	500	80x60x1200	210	189	1390	+/- 150
APK 80 C	5600/1200	8,0/900	IV	2400	1760-2960	500	120x70x2400 80/60x70x2400	540	223	2325	+/- 150

● includes hoses and couplings

● 2 hydraulic functions

- type VPK for 2-3-4 pallets
- type APK for 6-8 pallets

