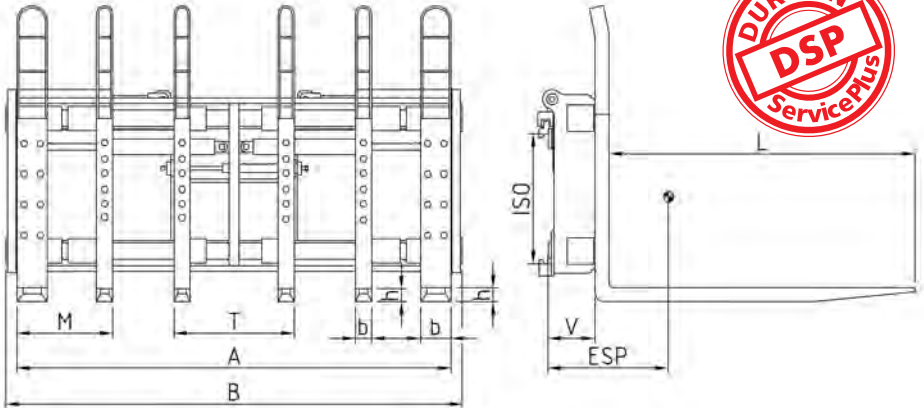


Multiple fork positioner for 4-6 pallets

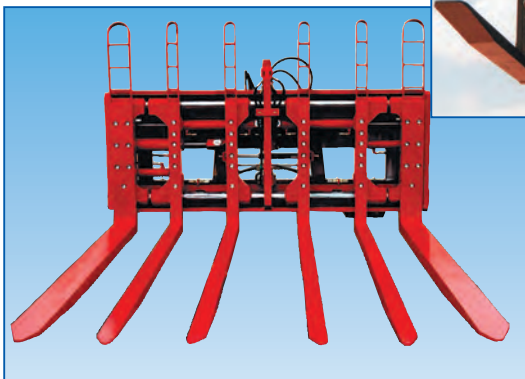
MPG 80

The multiple fork positioner **MPG 80 for 4-6 pallets** is ideal for efficient high volume loading requirements. The frame is designed to give maximum support of the pallets even when travelling at speed. The attachment has excellent service life and is made to suit multi shift working. Optional versions are available for the handling of several pallet sizes.



type	capacity kg/mm LC	lift truck capacity tons	ISO	B mm	A mm	M* mm	T mm	inner forks bxh mm	outer forks bxh mm	L mm	sideshift mm	ESP COG mm	VBM LLC mm	weight kg
MPG 80	5700/1200	8,0/900	IV/V	2220	1350-2130	560	560	80x65	150x70	2400	+/- 150	260	190	1950

- 2 hydraulic functions
- outer fork separately operated – upon request
- hydraulically operated pallet stops – upon request
- includes hoses and couplings
- integral version – upon request



DURWEN 
Anbaugeräte für Gabelstapler

Kompetenz seit mehr als 50 Jahren