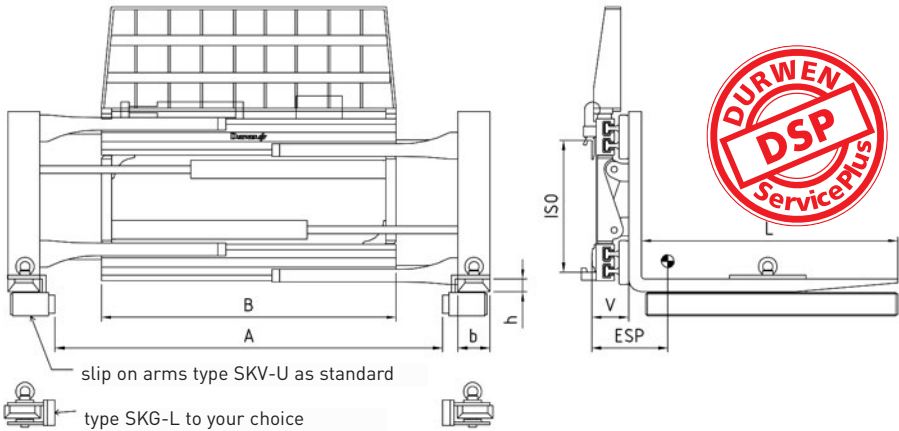


Building material clamp

UVP

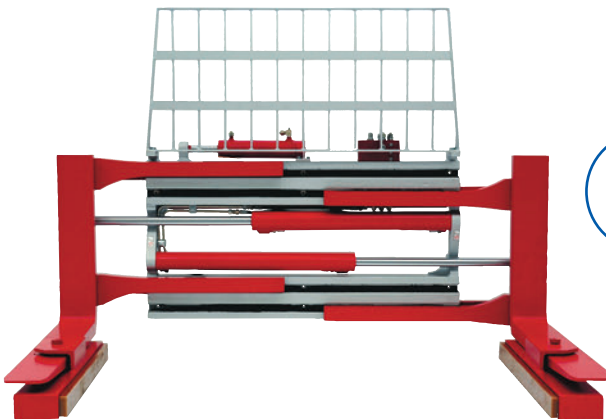
constant sideshift, bolt-on forks

The **building material clamp UVP** is an ideal attachment for the transport of a variety of building materials. With the articulating slip on arms various loads can be picked up quickly and safely without pallets. Also pallet loads can easily be transported with the slip-on arms removed. A robust backrest protects the driver from loose stones falling through the mast.



type	lift truck capacity tons	ISO	capacity on forks kg/mm LC	capacity as clamp kg/mm LC	A ITI mm	B mm	forks b x h x l mm	sideshift mm	V LLC mm	ESP COG mm	weight kg
UVP 25	2,5	II	2500/500	1900/500	170-1490	1150	140x50x1200	+/- 100	143	290	555
UVP 30	3,0	III	3000/500	2400/500	170-1540	1200	140x50x1200	+/- 100	153	285	655
UVP 35	3,5-4,0	III	3500/500	2700/500	140-1500	1200	150x50x1200	+/- 100	155	280	740
UVP 40	4,5-5/500	III	4000/500	2900/500	140-1650	1350	150x50x1200	+/- 100	165	270	780

- includes slip on arms SKV-U or SKG-L
- includes bolt-on forks as standard
- includes robust backrest as standard
- cylinder protection upon request
- includes hoses and couplings
- features sideshift rollers



bolt-on forks

DURWEN
Forklift Attachments

More than 60 years experience